

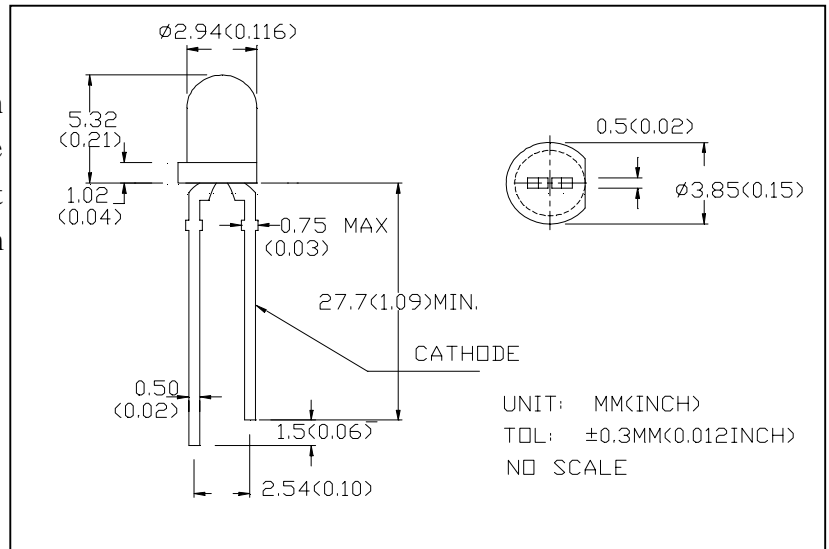
MICRO ELECTRONICS

MBB32CA-FK(GP)-AB

**HIGH EFFICIENCY
LOW CURRENT
BLUE LED LAMP**

DESCRIPTION

MBB32CA-FK(GP)-AB is a high efficiency low current InGaN/GaN blue LED lamp with 465~470nm dominant wavelength encapsulated in a 3mm diameter blue transparent lens.



ABSOLUTE MAXIMUM RATINGS

Power Dissipation @ Ta=25°C	100mW
Continuous Forward Current	30mA
Reverse Voltage	5V
Operating Temperature Range	-20 to +80°C
Storage Temperature Range	-30 to +100°C
Lead Soldering Temperature (1/16" from body)	260°C for 5 sec.

ELECTRO-OPTICAL CHARACTERISTICS (Ta=25°C)

PARAMETER	SYMBOL	MIN	TYP	MAX	UNIT	CONDITIONS
Forward Voltage	VF		3.0	3.1	V	IF=0.25mA
Reverse Breakdown Voltage	BVR	5			V	IR=12μA
Luminous Intensity	IV	5	10		mcd	IF=0.25mA
Dominant Wavelength	λd	465		470	nm	IF=0.25mA
Viewing Angle	2θ 1/2		30		degree	IF=0.25mA

CAUTION

FOR GP .ONLY

Static electricity and surge damages the LED ,It is recommended to use a wrist band or anti-eletrostatic glove when handling the LED . All devices,equipment and machinery must be properly grounded.



MICRO ELECTRONICS LTD. 美科有限公司
7/F, Enterprise Square Three, 39 Wang Chiu Road, Kowloon Bay, Kowloon, Hong Kong.
TEL: (852) 23430181 FAX: (852) 23410321
HOMEPAGE: <http://www.microelectr.com.hk>

REV:0
21/2/2006
page:1 of 2

MBB32CA-FK(GP)-AB

Typical Electro-Optical Characteristics Curves(Ta=25°C)

